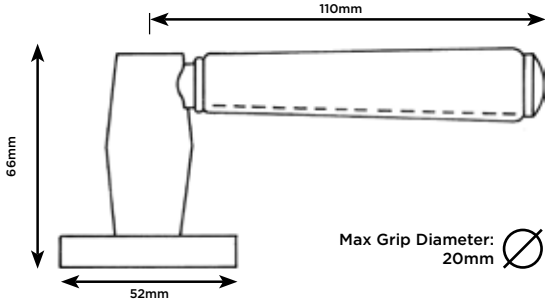




C1000

COMBINATION LEATHER

TUBE (STITCH IN) DOOR LEVER



Dimensional tolerance +/- 1.5mm



Metal Finishes



Leather Finishes



FINISHES

CONFIGURATIONS / FIXINGS

- Sprung as standard, unprung available upon request
- Through bolt fixing with **M4 X 60mm through bolts** (max door thickness 45mm). Please inform Sales if fitting to thicker doors.
- **8 x 8 x 110mm slotted spindle.**

ROSE / PLATE OPTIONS

	52mm Round	C1000
	52mm Round Privacy	C1534
	52mm Square	C2380
	52mm Square Privacy	C2381
	US Pre-Bore	C1535
	US Pre-Bore Privacy	C1533

	Rectangle Plate C1741		Rounded Plate C2382
	Slimline Plate C1396		Fineset Plate C1260

Please see relevant cut sheet for rose/plate details

COORDINATING ACCESSORIES

	Accessories	S1421, S1422, S1041, S1042		Furniture Knob	H1190, H1191, A1184, U1189
	Door Pull	C1603, C1575, C1061		Furniture Pull	H1193, A1181, A1183, U1684
	Window Hardware	C1092, C2360, C1645		Bathroom Accessories	J1207, J1208, J1209

TURNSTYLE DESIGNS LTD

Baron Way, Roundswell Business Park, Barnstaple, Devon, EX31 3TB, England
 +44 (0)1271 325325 / www.turnstyledesigns.com / sales@turnstyledesigns.com